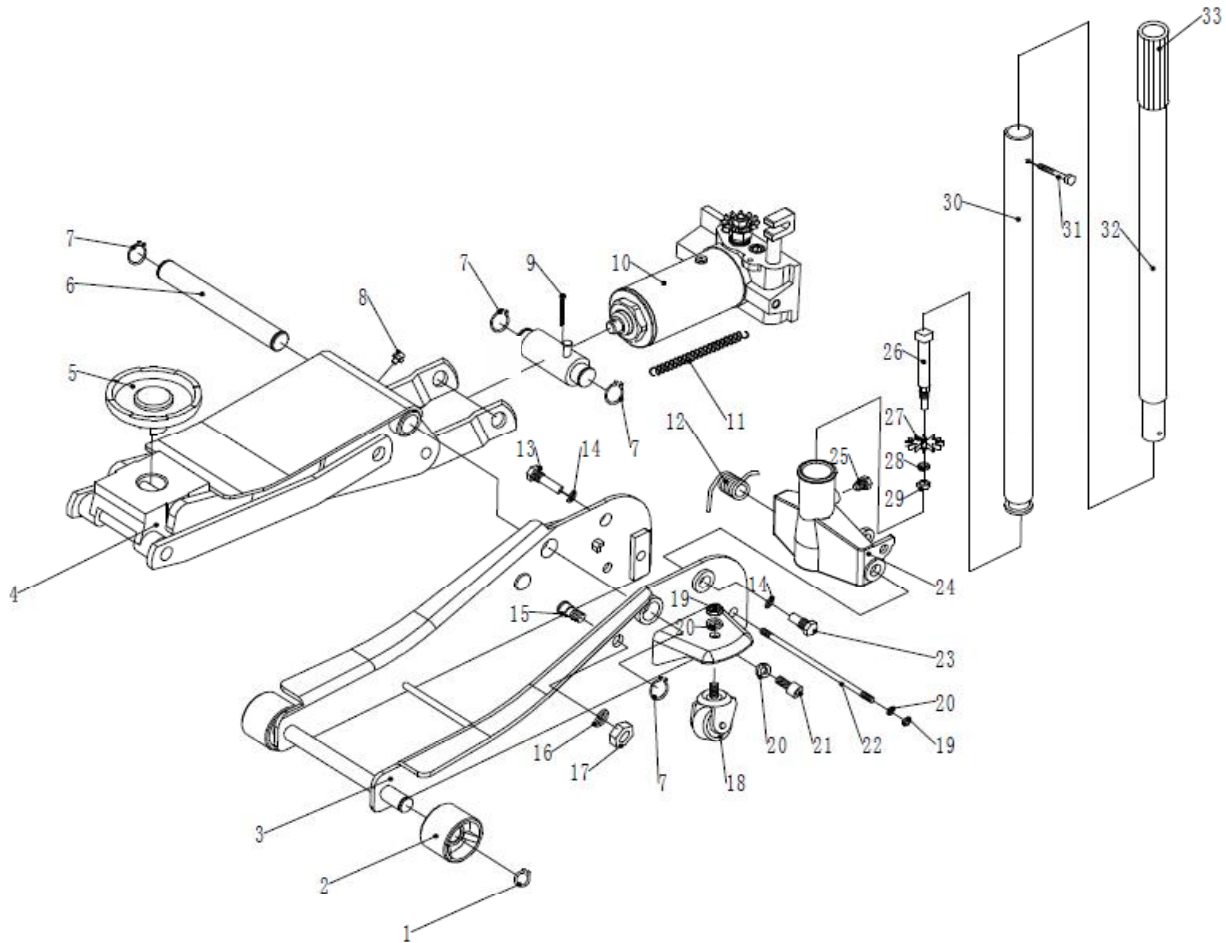


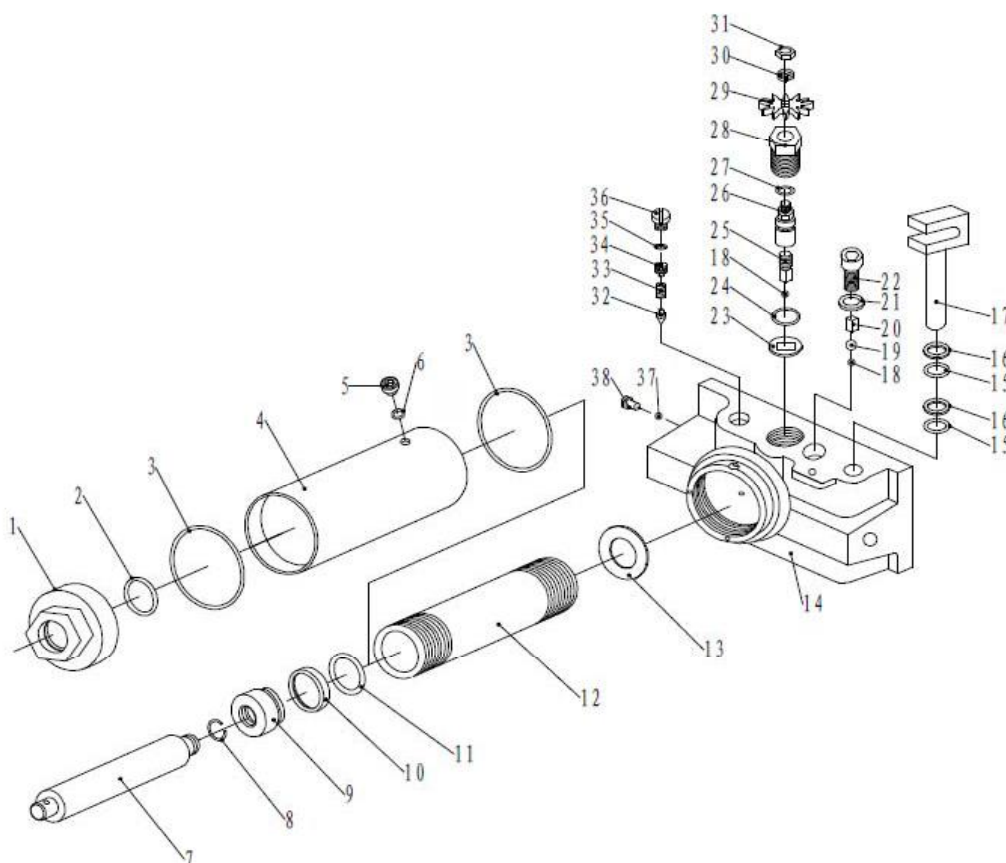
- Onderdelen -  
 - Spare parts -  
 - Pièces de rechange -  
 - Ersatzteile -



## Y422510

Part No.	Description	QTY	Part No.	Description	QTY
Y422510-1	C-Ring $\phi$ 19	2	Y422510-18	Caster wheel Assy	2
Y422510-2	Front Wheel	2	Y422510-19	Thicken Nut M12	4
Y422510-3	Plate	1	Y422510-20	Spring Washer $\phi$ 12	4
Y422510-4	Lift Arm Unit	1	Y422510-21	Socket Screw M12 $\times$ 25	2
Y422510-5	Salver	1	Y422510-22	Strengthen Rod	1
Y422510-6	Lift Arm Axis	1	Y422510-23	Short Handle Socket Screw	1
Y422510-7	C-Ring $\phi$ 25	4	Y422510-24	Handle Socket	1
Y422510-8	Grease FittingM6	1	Y422510-25	Handle Socket Screw M12	1
Y422510-9	Split Pin $\phi$ 4 $\times$ 45	1	Y422510-26	Gear Shaft	1
Y422510-10	Oil Pump Assy	1	Y422510-27	Flat Gear	1
Y422510-11	Return Spring	1	Y422510-28	Spring Washer $\phi$ 10	1
Y422510-12	Torsional Spring	1	Y422510-29	Nut M10	1
Y422510-13	Handle Socket Bolt	1	Y422510-30	Front Handle	1
Y422510-14	Spring Washer $\phi$ 18	2	Y422510-31	Hex Bolt M6 $\times$ 35	1
Y422510-15	Link Pin Bolt	2	Y422510-32	Rear Handle	1
Y422510-16	Spring Washer $\phi$ 16	2	Y422510-33	Handle Grip	1
Y422510-17	Nut M16	2			

- Onderdelen -  
 - Spare parts -  
 - Pièces de rechange -  
 - Ersatzteile -



### Y422510 - PU

Part No.	Description	QTY	Part No.	Description	QTY
Y422510-PU1	hood	1	Y422510-PU20	reset plunger	1
Y422510-PU2*	O-ring $\Phi 29.6 \times 3.5$	1	Y422510-PU21*	sealing washer	1
Y422510-PU3*	outer seal ring	2	Y422510-PU22	hexagon socket screw M12*16	1
Y422510-PU4	coat	1	Y422510-PU23*	guide pad	1
Y422510-PU5	oil filler hole bolt(insider hexagonal)	1	Y422510-PU24*	oil release valve nylon circle	1
Y422510-PU6*	O-ring $\Phi 9 \times 2.65$	1	Y422510-PU25	oil release valve push rod	1
Y422510-PU7	piston rod	1	Y422510-PU26	oil release valve rod(including rod)	1
Y422510-PU8	steel cable baffle ring $\Phi 20 \times 1.8$	1	Y422510-PU27*	O-ring $\Phi 12.5 \times 1.8$	1
Y422510-PU9	piston	1	Y422510-PU28	oil release valve seat	1
Y422510-PU10*	bowl type mat	1	Y422510-PU29	oil release valve gear	1
Y422510-PU11*	O-ring $\Phi 32.8 \times 4.6$	1	Y422510-PU30	spring washer(black oxide coating) $\Phi 10$	1
Y422510-PU12	oil cylinder	1	Y422510-PU31	M10 nut	1
Y422510-PU13*	cylinder bottom copper packing	1	Y422510-PU32*	cone valve	1
Y422510-PU14	valve body	1	Y422510-PU33	safety valve spring	1
Y422510-PU15	split damping ring $\Phi 16 \times 1.25$	2	Y422510-PU34	pressure adjusting screw	1
Y422510-PU16*	O-ring $\Phi 15.6 \times 2.6$	2	Y422510-PU35*	O-ring $\Phi 8 \times 1.8$	1
Y422510-PU17	pump core	1	Y422510-PU36	safety valve screw	1
Y422510-PU18*	steel ball $\Phi 6$	2	Y422510-PU37*	steel ball $\Phi 5$	1
Y422510-PU19*	steel ball $\Phi 9$	1	Y422510-PU38	hexagon bolt M6*12	1
			Y422510-PURK	*	1